

Notes:

* Material:

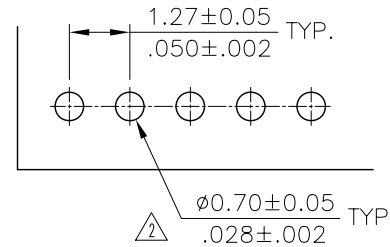
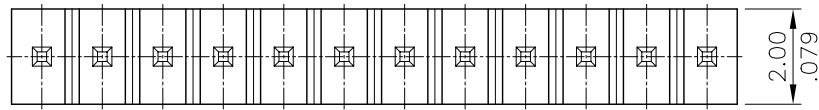
Insulator: LCP With 30% GF.
UL 94V-0 Color Black
Square Pin: Brass

△ * Pin overall Length 20.0mm Max.

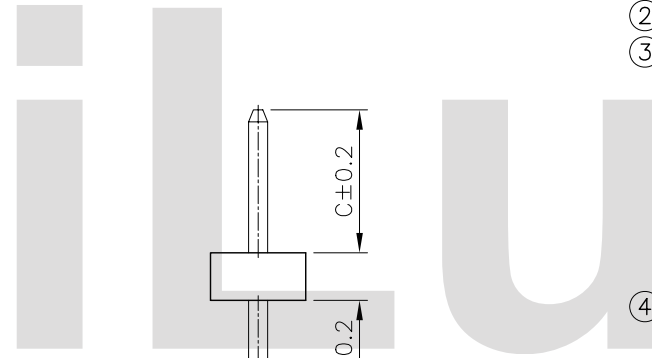
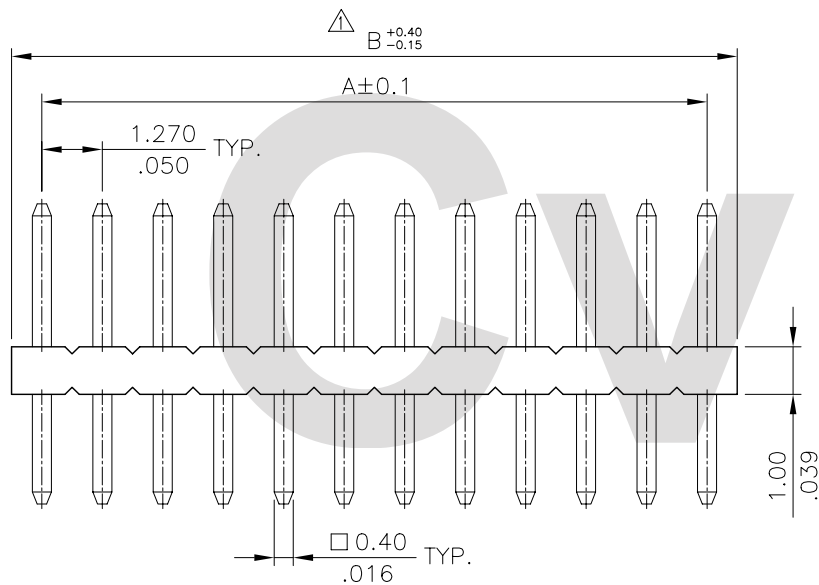
Ordering Code:

CH01 ** * V 1 **
① ② ③ ④ ⑤ ⑥

- ① Series No.
- ② No. of Contact: 04 to 50
- ③ Plating code:
2=Gold Flash plated over 1.27μm(50μ") Nickel
3=0.38μm(15μ") Gold plated over 1.27μm(50μ") Nickel
4=0.76μm(30μ") Gold plated over 1.27μm(50μ") Nickel
- ④ Tail & Mounting Style:
V=Straight DIP Type
- ⑤ Insulator Material & Color:
1=LCP , Color Black
- ⑥ Option Code:
See Table PDF. File No. CH0101T



Recommended P.C. Board Layout



DIM. A = 1.27 X No. of Spaces
DIM. B = DIM. A + 1.27
* Available in 4 through 50 Circuits

Lead Free Process

RoHS Compliant

CVILUX.XORP
 2008.10.14
 ISSUED

④						DATE	UNIT: mm / inch	TITLE: 1.27mm(.050") SINGLE ROW BOARD MOUNT PIN HEADER	瀚荃股份有限公司 CviLux Corporation
③	Sun	10/2-08'	ECN08477/ECR08117-1	DRAWN BY:	Sun	10/6-08'	TOLERANCE UNLESS OTHERWISE SPECIFIED	MATERIAL:	
②	Sandy	3/20-08'	ECN08141/ECR08030-1	ENGINEER:	Eisley	10/07-08'	.X ± 0.25/.010 X' ± 1"	FINISH:	DRAWING NO. CH0101SD PART NO. CH01***V1**
①	Sandy	8/30-04'	ECN04327	CHECKED BY:	Alex	10/07-08'	.XX ± 0.15/.006 .X' ±		SCALE 6 / 1 SHEET 1 OF 1
SYM	NAME	DATE	REVISIONS	APPROVED BY:	Alex	10/07-08'	.XXX ± 0.08/.003 .XX' ±		