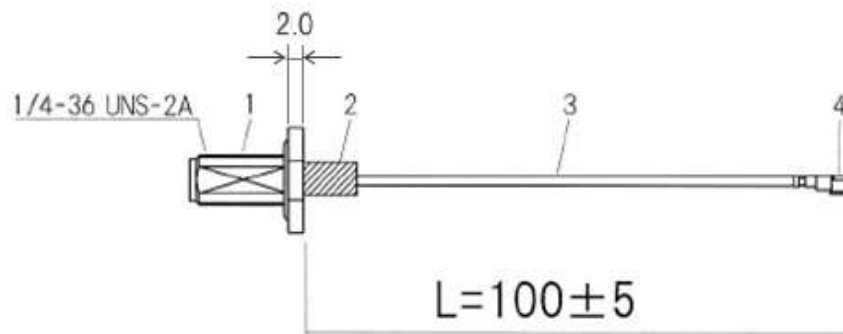
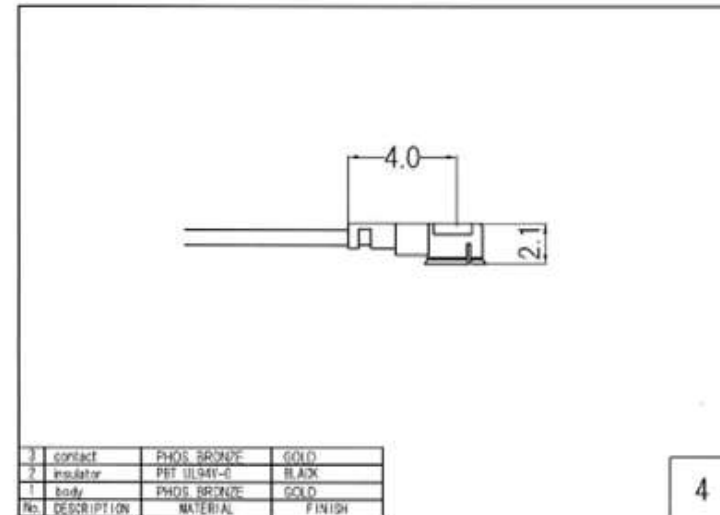
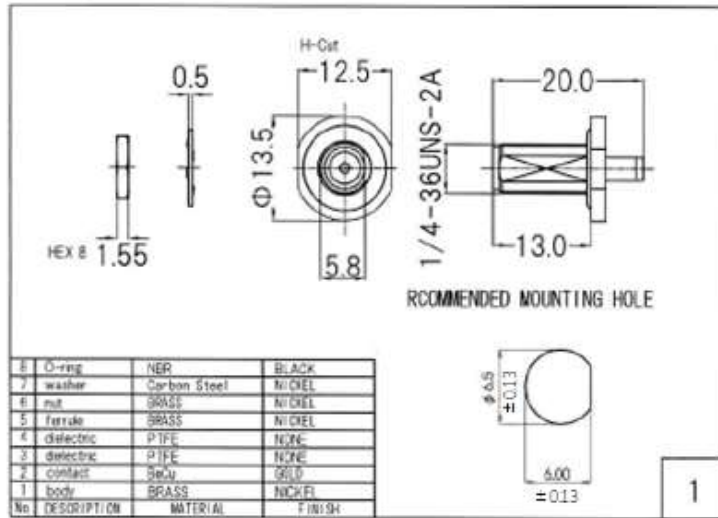


RoHS 2 Support

IP67 Product



4	MHF 1 Plug	20278-112R-13
3	Coaxial Cable	φ 1.13 Coaxial Cable
2	Heat Shrink Tube	B2 Type
1	SMA Jack	SMA-RSF-084
No.	TYPE	P/N

※パネル厚 MAX4.8mm

Drawn	Checked	Approved	Unit
Y.OE	Y.OE	Y.OE	mm
2018.9.13	2018.9.13	2018.9.13	A4

株式会社EASEL様向け

日本エレパーツ株式会社
NIHON ELEPARTS CO.,LTD.

NAME

SMAJB-MHF1.13B
-L=100

This product is a possibility of change without notice.